



Art. Nr.: ASK 41.4 ASK 41.4



Dimensions:

| | |
|------------------------|--------|
| Bus bar 1 in mm: | 40x10 |
| Bus bar 2 in mm: | 2x30x5 |
| Round conductor in mm: | 32 |
| Width in mm: | 70 |
| Height in mm: | 88,5 |
| Depth in mm: | 58 |

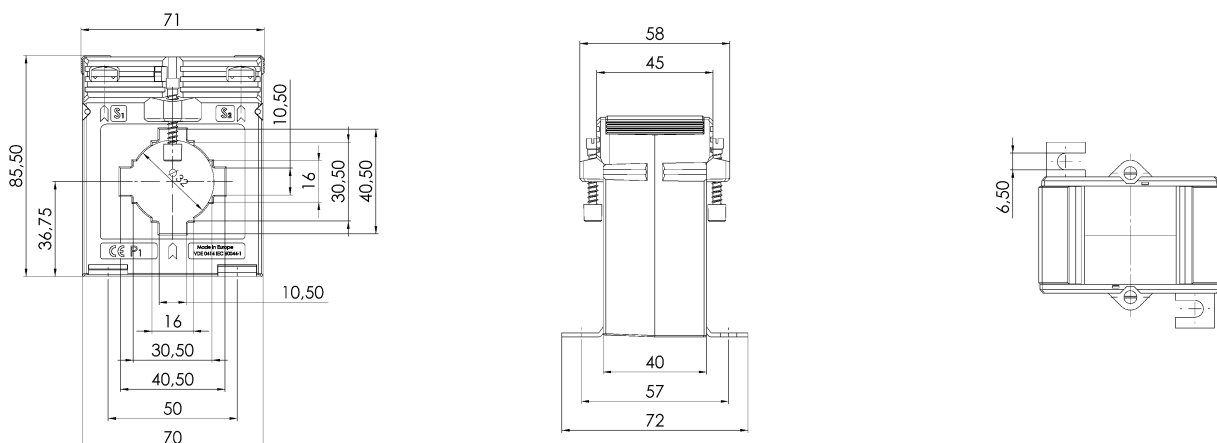
Technical Data:

| | |
|---|---------------------------------|
| Therm. nominal continuous current I_{cth} : | $1,0 \times I_{pr}$ |
| Therm. nominal short-time current I_{th} : | $60 \times I_{pr}$, 1 Sek. |
| Max. operating voltage U_m : | 0,72 kV |
| Isolation test voltage: | 3 kV, U_{eff} , 50 Hz, 1 Min. |
| Nominal rated frequency: | 50/60 Hz |
| Isolation class: | E |

General Technical Data:

| | |
|--|---|
| Over-current limiting factor: | See rating plate |
| Working temperature range: | $-5^{\circ}\text{C} < T < +50^{\circ}\text{C}$ |
| Storage temperature range: | $-25^{\circ}\text{C} < T < +70^{\circ}\text{C}$ |
| Unbreakable plastic housing made of black polycarbonate | Flame resistant, ultrasonically welded |
| Nickel-plated secondary terminals with plus-minus nickel-plated screws | M5x10mm |
| Custom tariff number | 85043129 |
| Applied standards 1 | DIN EN 61869-1/2 |
| Applied standards 2 | DIN EN 42600-1/2 |

Technical Drawing:



Contact:

MBS AG - Eisbachstrasse 51 - D-74429 Sulzbach-Laufen - www.mbs-ag.com
Tel.: +49 7976 9851-0 - Telefax: +49 7976 9851-90 - verkauf@mbs-ag.com

Date: 06.10.2022