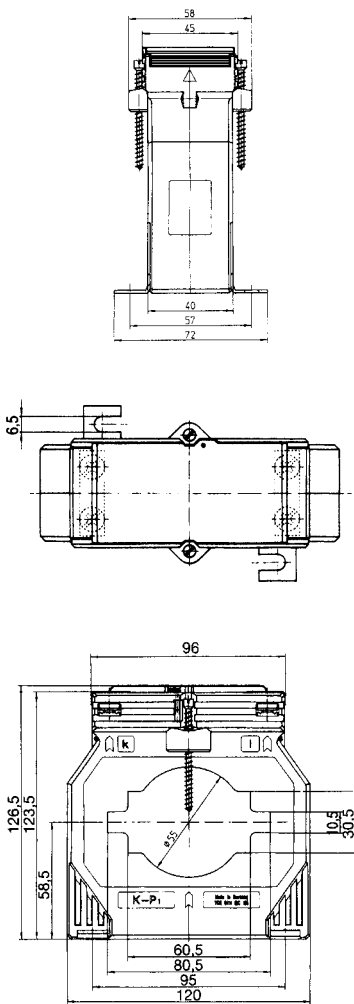




(E)ASK 81.4

Aufsteck-Stromwandler Plug-in current transformers

E...= zugelassener Verrechnungstromwandler **Tariff Current Transformer**



| Prim. Strom prim. current | VA | ASK Sek.Strom / sec.current 1A | | | | EASK Sek.Strom / sec.current 1A | | | |
|---------------------------|-----|---------------------------------------|--|---------------------|--|--|--|---------------------|--|
| | | Klasse / class 1 | | Klasse / class 0,5 | | Klasse / class 0,5 | | Klasse / class 0,2 | |
| | | Best.-Nr. order-no. | | Best.-Nr. order-no. | | Best.-Nr. order-no. | | Best.-Nr. order-no. | |
| 400 | 2,5 | 21238 | | 21209 | | 21741 | | 21711 | |
| | 5 | 21239 | | 21210 | | 21742 | | 21712 | |
| | 10 | | | | | 21743 | | | |
| 500 | 2,5 | 21240 | | 21211 | | 21744 | | 21714 | |
| | 5 | 21241 | | 21335 | | 21745 | | 21715 | |
| | 10 | 21242 | | 21278 | | 21746 | | 21716 | |
| 600 | 2,5 | 21243 | | 21212 | | 21747 | | 21717 | |
| | 5 | 21244 | | 21213 | | 21748 | | 21718 | |
| | 10 | 21245 | | 21214 | | 21749 | | 21719 | |
| 750 | 2,5 | 21246 | | 21215 | | 21751 | | 21721 | |
| | 5 | 21247 | | 21216 | | 21752 | | 21722 | |
| | 10 | 21248 | | 21217 | | 21753 | | 21723 | |
| | 15 | 21249 | | 21279 | | | | | |
| 800 | 2,5 | 21250 | | 21218 | | | | | |
| | 5 | 21251 | | 21219 | | | | | |
| | 10 | 21252 | | 21220 | | | | | |
| | 15 | 21253 | | 21280 | | | | | |
| 1000 | 5 | 21254 | | 21221 | | 21756 | | 21726 | |
| | 10 | 21255 | | 21222 | | 21757 | | 21727 | |
| | 15 | 21256 | | 21223 | | 21758 | | | |
| | 30 | 21257 | | | | | | | |
| 1200 | 5 | 21258 | | 21224 | | 21760 | | 21730 | |
| | 10 | 21259 | | 21225 | | 21761 | | 21731 | |
| | 15 | 21260 | | 21226 | | 21762 | | | |
| | 30 | 21261 | | | | | | | |
| 1250 | 5 | 21262 | | 21227 | | 21764 | | 21734 | |
| | 10 | 21263 | | 21228 | | 21765 | | 21735 | |
| | 15 | 21264 | | 21229 | | 21766 | | 21736 | |
| | 30 | 21265 | | | | | | | |
| 1500 | 5 | | | 21230 | | 21768 | | 21738 | |
| | 10 | 21266 | | 21231 | | 21769 | | 21739 | |
| | 15 | 21267 | | 21232 | | 21770 | | 21740 | |
| | 30 | 21268 | | | | | | | |
| | 45 | 21269 | | | | | | | |
| 1600 | 5 | | | 21233 | | | | | |
| | 10 | 21270 | | 21234 | | | | | |
| | 15 | 21271 | | 21235 | | | | | |
| | 30 | 21272 | | | | | | | |
| | 45 | 21273 | | | | | | | |
| 2000 | 10 | 21274 | | 21236 | | | | | |
| | 15 | 21275 | | 21237 | | | | | |
| | 30 | 21276 | | | | | | | |
| | 45 | 21277 | | | | | | | |

| | |
|--|--|
| Primärleiter Primary conductor | 80 x 10 mm 60 x 30 mm 2 x 60 x 10 mm |
| Rundleiter Round conductor | Ø 55,0 mm |
| Wandlerbreite Transformer width | 120 mm |
| Schnappbefestigung Snap-on mounting | Best.-Nr./order-no. - |
| Plombierplatte Sealed shutter | Best.-Nr./order-no. 59042 |

(E)ASK 81.4

Aufsteck-Stromwandler

Plug-in current transformers

E...= zugelassener
Verrechnungsstromwandler
Tariff Current Transformer

| Prim. Strom prim. current | VA | ASK Sek.Strom / sec.current 5A | | | | | | EASK Sek.Strom / sec.current 5A | | | | | |
|---------------------------|-----|---------------------------------------|--|---------------------|--|---------------------|--|--|--|---------------------|--|---------------------|--|
| | | Klasse / class 1 | | Klasse / class 0,5 | | Klasse / class 0,2s | | Klasse / class 0,5 | | Klasse / class 0,5s | | Klasse / class 0,2 | |
| | | Best.-Nr. order-no. | | Best.-Nr. order-no. | | Best.-Nr. order-no. | | Best.-Nr. order-no. | | Best.-Nr. order-no. | | Best.-Nr. order-no. | |
| 400 | 2,5 | 21038 | | 21009 | | V47-2004D | | 21541 | | 21571 | | 21511 | |
| | 5 | 21039 | | 21010 | | V47-2004F | | 21542 | | 21572 | | 21512 | |
| | 10 | | | 21197 | | | | 21543 | | 21573 | | | |
| 500 | 2,5 | 21040 | | 21011 | | V47-2104D | | 21544 | | 21574 | | 21514 | |
| | 5 | 21041 | | 21135 | | V47-2104F | | 21545 | | 21575 | | 21515 | |
| | 10 | 21042 | | 21078 | | | | 21546 | | 21576 | | 21516 | |
| 600 | 2,5 | 21043 | | 21012 | | V47-2204D | | 21547 | | 21577 | | 21517 | |
| | 5 | 21044 | | 21013 | | V47-2204F | | 21548 | | 21578 | | 21518 | |
| | 10 | 21045 | | 21014 | | V47-2204H | | 21549 | | 21579 | | 21519 | |
| | 15 | | | | | | | 21550 | | 21580 | | 21520 | |
| 750 | 2,5 | 21046 | | 21015 | | V47-2304D | | 21551 | | 21581 | | 21521 | |
| | 5 | 21047 | | 21016 | | V47-2304F | | 21552 | | 21582 | | 21522 | |
| | 10 | 21048 | | 21017 | | V47-2304H | | 21553 | | 21583 | | 21523 | |
| | 15 | 21049 | | 21079 | | | | 21554 | | 21584 | | 21524 | |
| 800 | 2,5 | 21050 | | 21018 | | | | | | | | | |
| | 5 | 21051 | | 21019 | | | | | | | | | |
| | 10 | 21052 | | 21020 | | | | | | | | | |
| | 15 | 21053 | | 21080 | | | | | | | | | |
| 1000 | 2,5 | 21084 | | | | V47-2504D | | 21555 | | 21585 | | 21525 | |
| | 5 | 21054 | | 21021 | | V47-2504F | | 21556 | | 21586 | | 21526 | |
| | 10 | 21055 | | 21022 | | V47-2504H | | 21557 | | 21587 | | 21527 | |
| | 15 | 21056 | | 21023 | | V47-2504J | | 21558 | | 21588 | | 21528 | |
| | 30 | 21057 | | | | | | | | | | | |
| 1200 | 5 | 21058 | | 21024 | | V47-2604F | | 21560 | | 21590 | | 21530 | |
| | 10 | 21059 | | 21025 | | V47-2604H | | 21561 | | 21591 | | 21531 | |
| | 15 | 21060 | | 21026 | | V47-2604J | | 21562 | | 21592 | | 21532 | |
| | 30 | 21061 | | | | | | | | | | | |
| 1250 | 5 | 21062 | | 21027 | | V47-2704F | | 21564 | | 21594 | | 21534 | |
| | 10 | 21063 | | 21028 | | V47-2704H | | 21565 | | 21595 | | 21535 | |
| | 15 | 21064 | | 21029 | | V47-2704J | | 21566 | | 21596 | | 21536 | |
| | 30 | 21065 | | | | | | | | | | | |
| 1500 | 2,5 | | | | | V47-2804D | | 21567 | | 21597 | | 21537 | |
| | 5 | 21085 | | 21030 | | V47-2804F | | 21568 | | 21598 | | 21538 | |
| | 10 | 21066 | | 21031 | | V47-2804H | | 21569 | | 21599 | | 21539 | |
| | 15 | 21067 | | 21032 | | V47-2804J | | 21570 | | 21600 | | 21540 | |
| | 30 | 21068 | | | | | | | | | | | |
| | 45 | 21069 | | | | | | | | | | | |
| 1600 | 5 | 21086 | | 21033 | | | | | | | | | |
| | 10 | 21070 | | 21034 | | | | | | | | | |
| | 15 | 21071 | | 21035 | | | | | | | | | |
| | 30 | 21072 | | | | | | | | | | | |
| | 45 | 21073 | | | | | | | | | | | |
| 2000 | 10 | 21074 | | 21036 | | | | | | | | | |
| | 15 | 21075 | | 21037 | | | | | | | | | |
| | 30 | 21076 | | | | | | | | | | | |
| | 45 | 21077 | | | | | | | | | | | |

ASK 81.4 2U und 3U

| | | Sek.strom / sec.current 1A | |
|------------------------------------|--------|--------------------------------------|--|
| Prim. Strom prim. current | VA | Klasse / class 1 | |
| | | Best.-Nr. order-no. | |
| 1000-500 | 10-5 | 21320 | |
| | 15-7,5 | 21321 | |
| 1200-600 | 10-5 | 21322 | |
| | 15-7,5 | 21323 | |
| 1500-750 | 10-5 | 21324 | |
| | 15-7,5 | 21325 | |
| | 30-15 | 21326 | |
| 1600-800 | 10-5 | 21327 | |
| | 15-7,5 | 21328 | |
| | 30-15 | 21329 | |
| 2000-1000 | 10-5 | 21330 | |
| | 15-7,5 | 21331 | |
| | 30-15 | 21332 | |

| | | Sek.strom / sec.current 1A | |
|------------------------------------|----------|--------------------------------------|--|
| Prim. Strom prim. current | VA | Klasse / class 1 | |
| | | Best.-Nr. order-no. | |
| 2000-1500-1000 | 30-15-10 | 21360 | |
| 2000-1000-500 | 30-10-5 | 21361 | |
| 1600-800-400 | 15-10-5 | 21362 | |
| 1500-1000-500 | 15-10-5 | 21363 | |
| 1200-800-600 | 15-10-5 | 21364 | |
| 1500-1000-750 | 15-10-5 | 21365 | |
| 1000-750-500 | 10-5-2,5 | 21366 | |

| | | Sek.strom / sec.current 5A | |
|------------------------------------|--------|--------------------------------------|--|
| Prim. Strom prim. current | VA | Klasse / class 1 | |
| | | Best.-Nr. order-no. | |
| 1000-500 | 10-5 | 21120 | |
| | 15-7,5 | 21121 | |
| 1200-600 | 10-5 | 21122 | |
| | 15-7,5 | 21123 | |
| 1500-750 | 10-5 | 21124 | |
| | 15-7,5 | 21125 | |
| | 30-15 | 21126 | |
| 1600-800 | 10-5 | 21127 | |
| | 15-7,5 | 21128 | |
| | 30-15 | 21129 | |
| 2000-1000 | 10-5 | 21130 | |
| | 15-7,5 | 21131 | |
| | 30-15 | 21132 | |

| | | Sek.strom / sec.current 5A | |
|------------------------------------|----------|--------------------------------------|--|
| Prim. Strom prim. current | VA | Klasse / class 1 | |
| | | Best.-Nr. order-no. | |
| 2000-1500-1000 | 30-15-10 | 21160 | |
| 2000-1000-500 | 30-10-5 | 21161 | |
| 1600-800-400 | 15-10-5 | 21162 | |
| 1500-1000-500 | 15-10-5 | 21163 | |
| 1200-800-600 | 15-10-5 | 21164 | |
| 1500-1000-750 | 15-10-5 | 21165 | |
| 1000-750-500 | 10-5-2,5 | 21166 | |